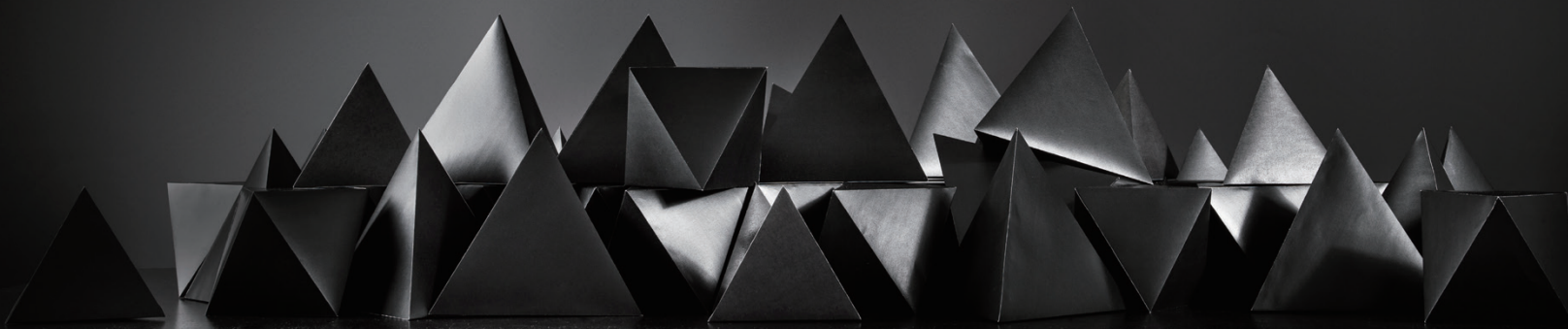


SEEDDESIGN

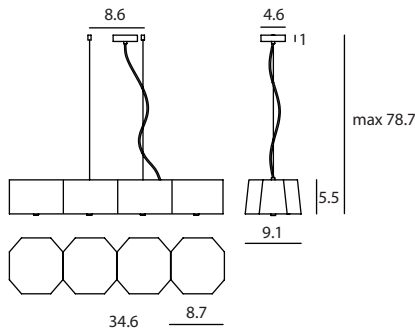


ZHE P / 1

© 2018 SEED LIGHTING DESIGN CO., LTD.

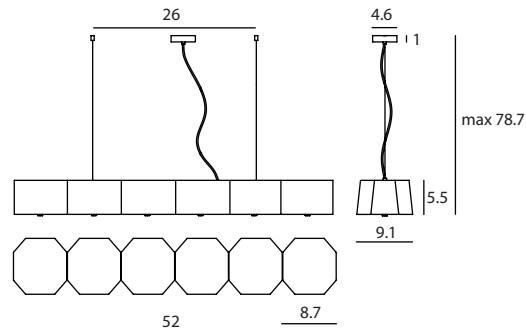
ZHE P 柘

ZHE is inspired by a wood from the Orient that is hard as rock. The metal lampshade is meticulously and deliberately hand welded together to resemble a cluster or rocks. Look closely and notice how each metal plate is a bit asymmetrical yet they all fit seamlessly together. Wooden stoppers under each frosted diffuser not only introduce warm elements of the wood, but functionally soften up the overall light source. ZHE exemplifies subtle illumination in a grand scale.



Zhe Pendant 4
 SQ-2322MPL4
 E26 4 x Max 100W
 Black textile wire

Materials : steel, glass, wood
 Color : matt black / matt white
 Canopy : same as shade color



Zhe Pendant 6
 SQ-2322MPL6
 E26 6 x Max 100W
 Black textile wire

Materials : steel, glass, wood
 Color : matt black / matt white
 Canopy : same as shade color



matt white



matt black

Measurement : inches

ZHE P / 2

